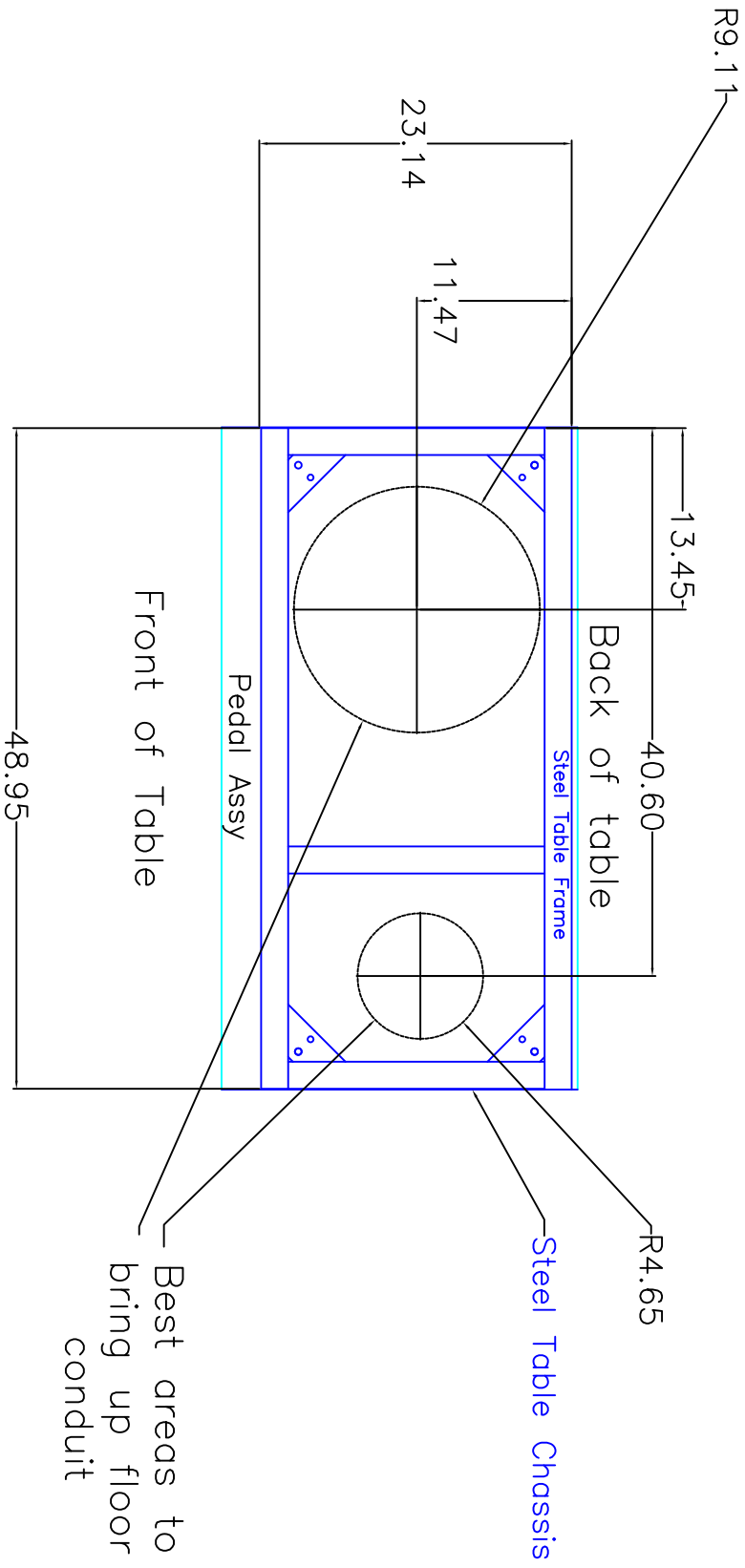


TOP VIEW OF TABLE BASE SHOWING BEST CONDUIT ACCESS AREAS FOR
ATLAS ELEVATING TABLE --- all dimensions are in "inches"



<p>CONFIDENTIAL – PROPRIETARY</p> <p>The information and data contained on this document is proprietary and confidential information and neither possessor nor receipt of this document transfers any right to reproduce, use, disclose or enter said information on a computer, in whole or in part without the written consent of Core Labs</p>		<p>1</p>		<p>USED ON ASSY</p>		<p>CORE</p>		<p>TITLE</p>	
		<p>REMOVE ALL SHARP EDGES AND BURRS</p>		<p>DO NOT SCALE DWG</p>		<p>DIMENSIONS ARE IN INCHES FINISHNESS OTHERWISE SPECIFIED</p>		<p>Conduit ET</p>	
<p>MFG APPVL</p>		<p>ENGR APPVL</p>		<p>J.M.</p>		<p>09.05.01</p>		<p>TOLERANCES ARE: XX ±.03 XXX ±.01 XXXX ±.005 ANGLES ± 0°30'</p>	
<p>DRAWN BY</p>		<p>J.M.</p>		<p>09.05.01</p>		<p>MATERIAL</p>		<p>PURCHASED</p>	
<p>CAD</p>		<p>1/1</p>		<p>PART NO</p>		<p>CONDUIT ET</p>		<p>SHEET 1 OF 1</p>	