

Collimare

Touch *LED*



Leading the industry with **NEW** Innovative Designs and Standard Features

- Touch Screen Control
- CAN - serial - A/D Interface
- Two Year Warranty
- Cross-Hair Alignment Lasers
- Highly Visible LED Light Source
- Multi-Function LED/Laser Control
- Programmable On-Time
- Advanced Thermal Control. *No Fan Required!*
- Low Power Operation
- External Light Field Adjustments
- Factory Customer Support
- Made in the USA

Specifications On Back of Sheet.

Collimare, LLC
13401 W 43RD DR, Unit #7
Golden, CO 80403
P: 303.278.1496
F: 303.278.1498
www.collimare.com



Collimare®

© 2013 All rights reserved. • Patented • Technical specifications subject to change without notice.

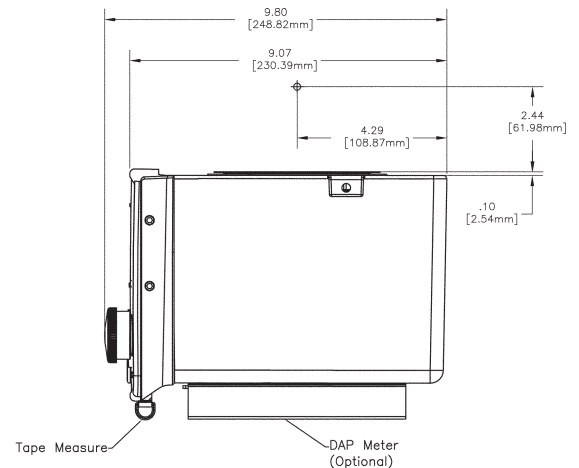
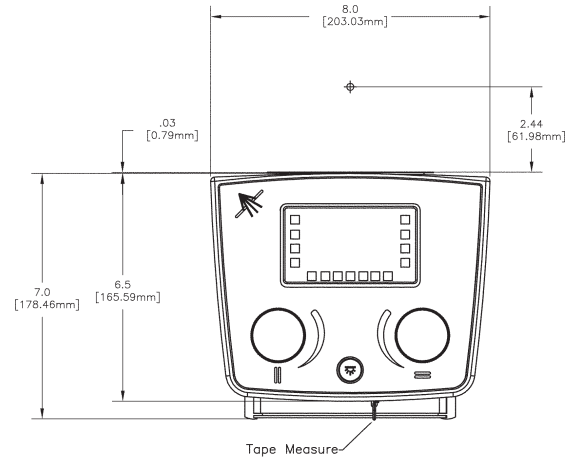


Collimare

Touch Collimare *LED*

Specifications:

1. Size - H x L x W7" x 10" x 8"
2. Weight<15 lbs.
3. Rating150kVp
4. Film CoverageContinuously variable 17" x 17" at 36" SID
5. Ray Proofing< 50mr/hr @ one meter from focal spot @ 150kVp at 4ma
6. Light SourceLED (12VDC @ 3)
7. Light Output> 20 foot-candle @ 40"
8. Edge Contrast5:1 minimum
9. Lamp Timer30 second standard, up to 120 second programmable
10. Inherent Filtration> 1.4mm aluminum equivalent at 80kVp
11. Filter TypeFixed
12. Mount TypeFixed mount with 90° rotational detents
13. Performance Standards21 CFR Part 1020 // UL 60601-1 // IEC 60825-1
14. Alignment "Crosshairs"Transverse and Longitudinal Class I Laser Light Lines



Models:

- CTL-150-0001-C, 150kVp Certified Motorized Collimator

Optional Features:

- Accessory Rail Kit
- DAP Meter Rail Kit
- Input Port Shutters
- CAN-Serial-A/D Interface

Collimare, LLC
13401 W 43RD DR, Unit #7
Golden, CO 80403
P: 303.278.1496
F: 303.278.1498
www.collimare.com

